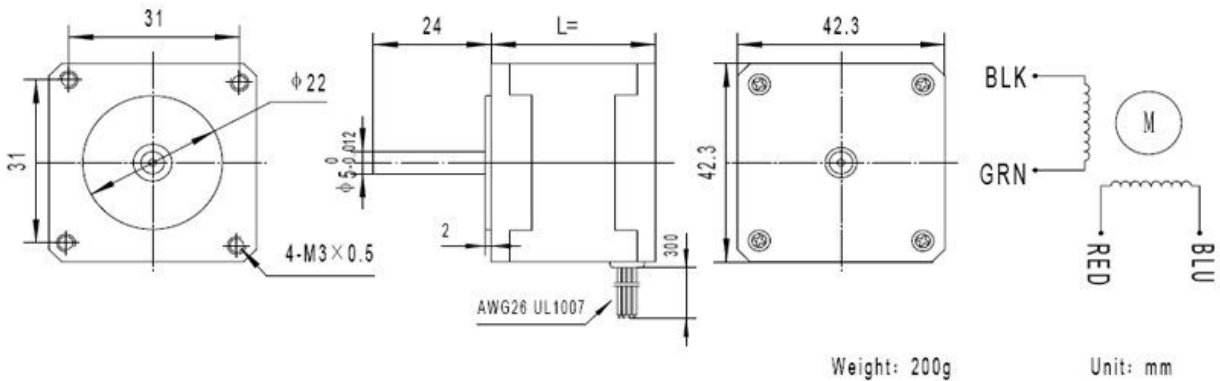


SH42: dc hybrid stepper motor



Description

1. Diameter: 42 mm
2. Voltage: 2.6~24V
3. Step angle: 1.8°
4. Phase: 2 or 4 (2-4 wires,4-6 wires)
5. Specs can be customized for you



Voltage V	Step Angle		No.Phase/wires	Phase		Torque	
	degree	L= mm		Current/A	Resistance/Ω	Detent/g.cm	Holding /g.cm
9.6	1.8	25	2-4 wires	0.4	24	75	1700
4	1.8	34	4-6 wires	0.95	4.2	120	1600
9.6	1.8	34	4-6 wires	0.4	24	120	1600
12	1.8	34	4-6 wires	0.3	38.5	120	1600
2.8	1.8	34	2-4 wires	1.33	2.1	120	2200
4	1.8	40	4-6 wires	1.2	3.3	150	2600
6	1.8	40	4-6 wires	0.8	7.5	150	2600
12	1.8	40	4-6 wires	0.4	30	150	2600
2.8	1.8	40	2-4 wires	1.68	1.65	150	3600
4	1.8	48	4-6 wires	1.2	3.3	200	3200
6	1.8	48	4-6 wires	0.8	7.5	200	3200
12	1.8	48	4-6 wires	0.4	30	200	3200
2.8	1.8	60	2-4 wires	1.68	1.65	200	4400
7.2	1.8	60	4-6 wires	1.2	6	280	6500

TEL:+86-755-89480927
 FAX:+86-755-88366423
 Web: www.sonth123.com
 Msn: sonth123@hotmail.com