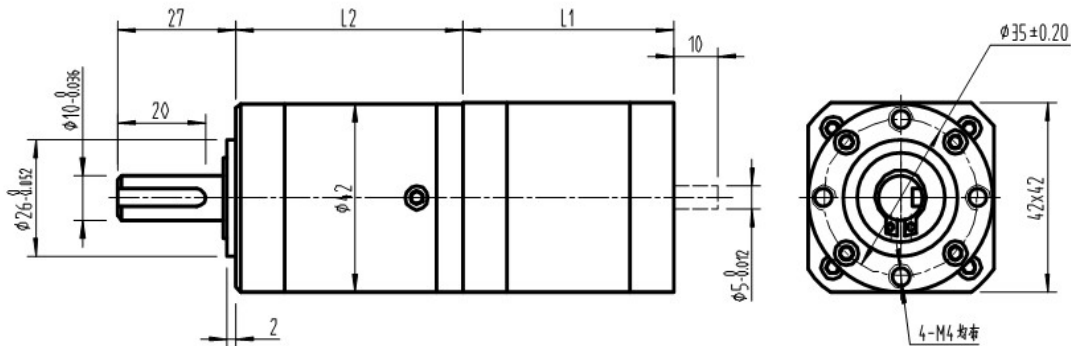


SGP42-42SH: dc hybrid stepper planetary gear motor



Description

1. Diameter: 42mm
2. Voltage: 12V (4-24V)
3. Step angle: 1.8°
4. Reduction ratio: 1/5, 1/14, 1/51, 1/100, 1/264, 1/369....
5. Torque: 1~100Kg.cm
6. Stepper motor L1=34/40 mm
7. Number of phase: 2 or 4 (2-4wires, 4-6wires)
8. Specs can be customized for you



Reduction Ratio	Gearbox Length L2= mm	Step Angle degree	4 Phase ,Voltage 12V (4V,12V,24V)			
			Current A	Resistance Ω	Torque	
					Pull-in/Kg.cm	Pull-out/Kg.cm
1/5	41	1.8°/5	0.4	30	2	8
1/14	52	1.8°/14	0.4	30	2	25
1/51	65	1.8°/51	0.4	30	2	80
1/100	65	1.8°/100	0.3	38	2.5	100
1/264	75	1.8°/264	0.3	38	2.5	100
1/369	75	1.8°/369	0.3	38	2.5	100

TEL: +86-755-89480927
 FAX: +86-755-88366423
 Web: www.sonth123.com
 Msn: sonth123@hotmail.com