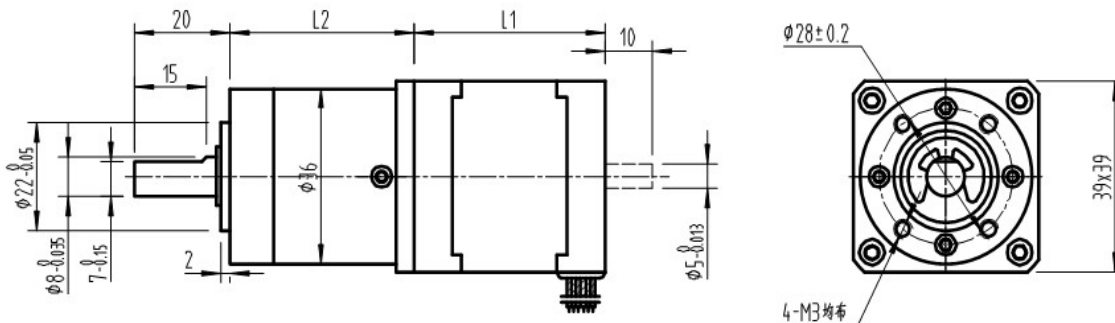


SGP36-39SH: dc hybrid stepper planetary gear motor



Description

1. Diameter: 36mm
2. Voltage: 12V (4-24V)
3. Step angle: 1.8°
4. Reduction ratio: 1/5, 1/14, 1/51, 1/100, 1/264, 1/369....
5. Torque: 1-60Kg.cm
6. Stepper motor L1=20/34/38/44 mm
7. Number of phase: 2 or 4 (2-4wires, 4-6wires)
8. Specs can be customized for you



Reduction Ratio	Gearbox Length L2= mm	Step Angle degree	2 Phase ,Voltage 12V (2.6V,12V,24V)			
			Current A	Resistance Ω	Torque	
					Pull-in/Kg.cm	Pull-out/Kg.cm
1/5	31	1.8°/5	0.5	30	2	8
1/14	39	1.8°/14	0.5	30	2	25
1/51	48	1.8°/51	0.5	30	2	48
1/100	48	1.8°/100	0.4	24	2	48
1/264	56	1.8°/264	0.4	24	2	60
1/369	56	1.8°/369	0.6	24	2	60

TEL: +86-755-89480927
 FAX: +86-755-88366423
 Web: www.sonth123.com
 Msn: sonth123@hotmail.com